

UNINTERRUPTIBLE POWER SYSTEMS



www.teksar.com.mx
(55) 56 59 59 09



CT

4200FA Series

15/25/30/50 kVA UPS

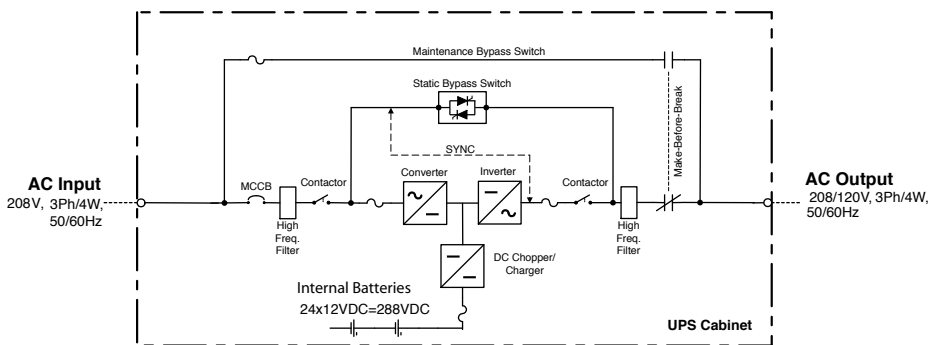
3 Year
Warranty

- True On-Line Double Conversion UPS
- Input Power Factor > 0.98
- Input Current THD < 3%
- Wide Input Voltage Window +10% to -30%
- Wide Input Frequency Window 45-65 Hz
- All IGBT 16 kHz Design (Rectifier / DC Converter / Inverter)
- Electronic Power Factor Correction for 100% Generator Compatibility
- Complete Front Access for Installation, Operation and Service
- Internal Batteries
- Internal Maintenance Bypass Switch
- 100% Unbalanced Load Capability
- SNMP / Web-Based Monitoring

Reliability in motion™

4200FA CT 15/25/30/50 kVA UPS

Model Number		T42F3F150XAMB	T42F3F250XAMB	T42F3F300XAMB	T42F3F500XAMB
Capacity	kVA / kW	15 / 12	25 / 20	30 / 24	50 / 40
Topology	True on-line, double conversion, IGBT PWM, with active input power factor correction				
Input	Voltage	208 / 120 V, 3 Phase, 4 w + Gnd			
	Voltage Range	+10% to -30% (without utilizing battery)			
	Power Factor	Greater than 0.98			
	Current THD	Less than 3%			
	Frequency	50 / 60 Hz (range 45 - 65 Hz)			
	Current Limit	115% maximum			
Output	Voltage	208 / 120 V, 3 Phase, 4 w + Gnd			
	Frequency	50 / 60 Hz \pm 0.01% (can be used as a frequency converter)			
	Voltage Regulation	< 1% balanced, 100% load step / < 2% unbalanced, 100% load step			
	Overload (Inverter)	125% for 90 sec, 150% for 30 sec			
	Overload (Bypass)	125% for 10 min, 1000% for 10 ms			
Battery	Time (Full / Half Load)	10 / 30 min	5 / 15 min	3 / 10 min	5 / 15 min
	DC Link	288 VDC			
	Ripple Voltage	< 2% DC			
Environment	Temperature Range	0 – 40° C (operating) / -20 – +50° C (storage)			
	Relative Humidity	0 – 95% non condensing			
	Heat Rejection	5733 BTUs	7100 BTUs	9100 BTUs	17737 BTUs
	Efficiency	AC / DC / AC 87.7%, DC / AC 90%			
Dimensions	Dimensions (L x W x H)	20" x 36.3" x 59.8"			35.4" x 37.6" x 59.8"
	Weight (lb)	900	910	915	2548
	Altitude	6600 ft (2000 m) (maximum without derating)			
	Audible Noise	< 60 dBA at 1 m			< 65 dBA at 1 m
Features	Internal make-before-break maintenance bypass switch, RS232 and dry contact interface				
Standards	UL 1778, cUL, NEC, ISO9001, ISO14001, ANSI C62.41 (IEEE 587), NEMA PE1-1993				
Warranty	(See Toshiba warranty policy for full details.)				
Service	7 x 24 Technical Support 1-877-867-8773 (1-UPS-TOS-UPS3)				



UPS ADJUSTABLE SPEED DRIVES MOTORS CONTROLS INSTRUMENTATION PLC

TOSHIBA

TOSHIBA INTERNATIONAL CORPORATION

INDUSTRIAL DIVISION

13131 West Little York Road, Houston, Texas 77041

Tel 713/466-0277 Fax 713/466-8773

US 800/231-1412 Canada 800/872-2192 Mexico 001/800/527-1204

www.tic.toshiba.com

Copyright 5/2005 Toshiba International Corporation



www.teksar.com.mx
(55) 56 59 59 09



0 F A C T 0 5 0 5 3 1 1