

TOSHIBA

UNINTERRUPTIBLE POWER SYSTEMS



XT

4200FA Series

15/25/30/50/80 kVA UPS

3 Year
Warranty

- True On-Line Double Conversion UPS
- Input Power Factor > 0.98
- Input Current THD < 3%
- Wide Input Voltage Window +10% to -30%
- Wide Input Frequency Window 45-65 Hz
- All IGBT 16 kHz Design (Rectifier / DC Converter / Inverter)
- Electronic Power Factor Correction for 100% Generator Compatibility
- Complete Front Access for Installation, Operation and Service
- External Battery Options for Customized Battery Back-Up Time
- XT Series is Designed for Extreme Applications
- Internal Isolation Transformer(s)
- Internal Maintenance Bypass Switch*
- 100% Unbalanced Load Capability
- SNMP / Web-Based Monitoring

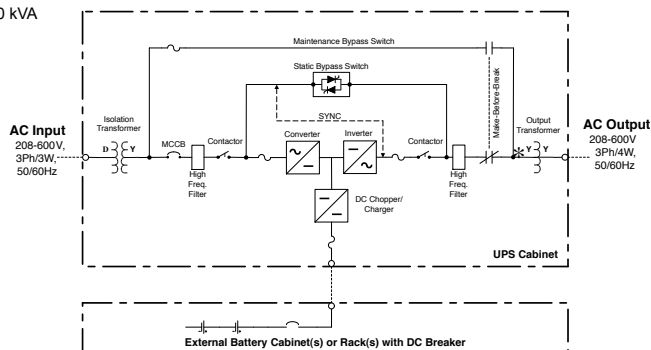


Reliability in motion™

4200FA XT 15/25/30/50/80 kVA UPS

Model Number		T42X3X150XAMXN	T42X3X250XAMXN	T42X3X300XAMXN	T42X3X500XAMXN	T42X3X800XAXXN
Capacity	kVA / kW	15 / 12	25 / 20	30 / 24	50 / 40	80 / 64
Topology	True on-line, double conversion, IGBT PWM, with active input power factor correction					
Input	Voltage	208 V, 220 V, 240 V, 380 V, 415 V, 480 V, 600 V, 3 Phase, 3 w + Gnd				
	Voltage Range	+10% to -30% (without utilizing battery)				
	Power Factor	Greater than 0.98				
	Current THD	Less than 3%				
	Frequency	50 / 60 Hz (range 45 - 65 Hz)				
	Current Limit	115% maximum				
Output	Voltage	208 V, 220 V, 240 V, 380 V, 415 V, 480 V, 600 V, 3 Phase, 4 w + Gnd				208 / 120 V, 3 Ph, 4 w + Gnd
	Frequency	50 / 60 Hz \pm 0.01% (can be used as a frequency converter)				
	Voltage Regulation	< 1% balanced, 100% load step / < 2% unbalanced, 100% load step				
	Overload (inverter)	125% for 90 sec, 150% for 30 sec				
	Overload (bypass)	125% for 10 min, 1,000% for 10 ms				
Battery	DC Link	288 VDC				
	Ripple Voltage	< 2% DC				
Environment	Temperature Range	0 – 40°C (operating) / -20 – +50°C (storage)				
	Relative Humidity	0 – 95% non condensing				
	Heat Rejection	5,733 BTUs	7,600 BTUs	9,100 BTUs	17,737 BTUs	24,270 BTUs
	Efficiency	AC / DC / AC 87.7%, DC / AC 90%			AC / DC / AC 88.5%	AC / DC / AC 90%
Dimensions	Dimensions (L x W x H)	20" x 36.3" x 59.8"			35.4" x 37.6" x 59.8"	44" x 31" x 74"
(1 / 2) Transformer(s)	UPS Weight (lb)	1,275 / 1,475	1,275 / 1,475	1,275 / 1,475	1,581 / 1,941	2,450
	Altitude	6,600 ft (2000 m) (maximum without derating)				
	Audible Noise	< 60 dBA at 1 m			< 65 dBA at 1 m	< 65 dBA at 1 m
Features	Internal make-before-break maintenance bypass switch*, RS232 and dry contact interface					
Options	Dual input feed, air filters for door, RemotEye II®					
Standards	UL 1778, cUL, NEC, ISO9001, ISO14001, ANSI C62.41 (IEEE 587), NEMA PE1-1993					
Warranty	(See Toshiba warranty policy for full details.)					
Service	7 x 24 Technical Support 1-877-867-8773 (1-UPS-TOS-UPS3)					

* Not available on 80 kVA



UPS ADJUSTABLE SPEED DRIVES MOTORS CONTROLS INSTRUMENTATION PLC

TOSHIBA

TOSHIBA INTERNATIONAL CORPORATION

INDUSTRIAL DIVISION

13131 West Little York Road, Houston, Texas 77041

Tel 713/466-0277 Fax 713/466-8773

US 800/231-1412 Canada 800/872-2192 Mexico 001/800/527-1884

www.tic.toshiba.com

Copyright 5/2005 Toshiba International Corporation

Available Through
TekSar

www.teksar.com.mx
(55) 56 59 59 09

